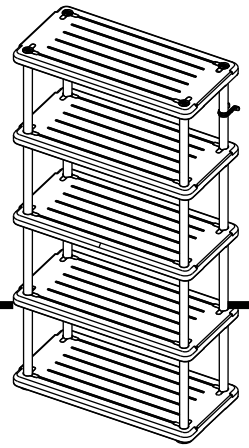




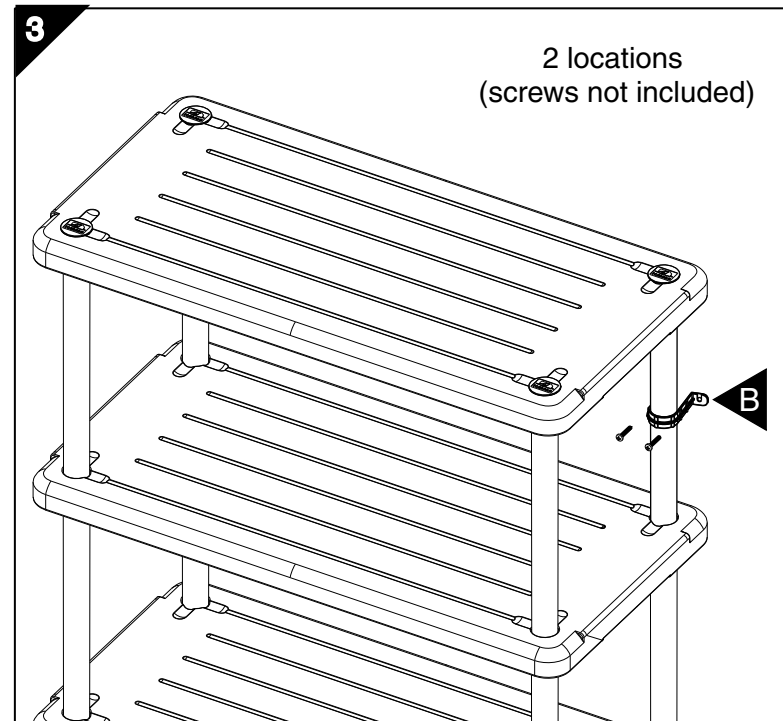
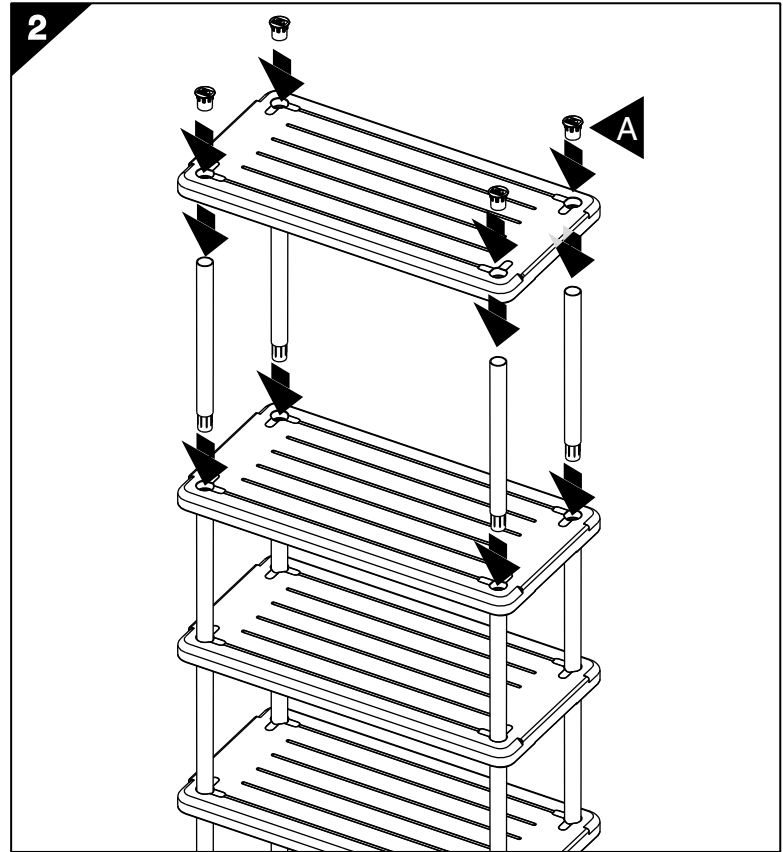
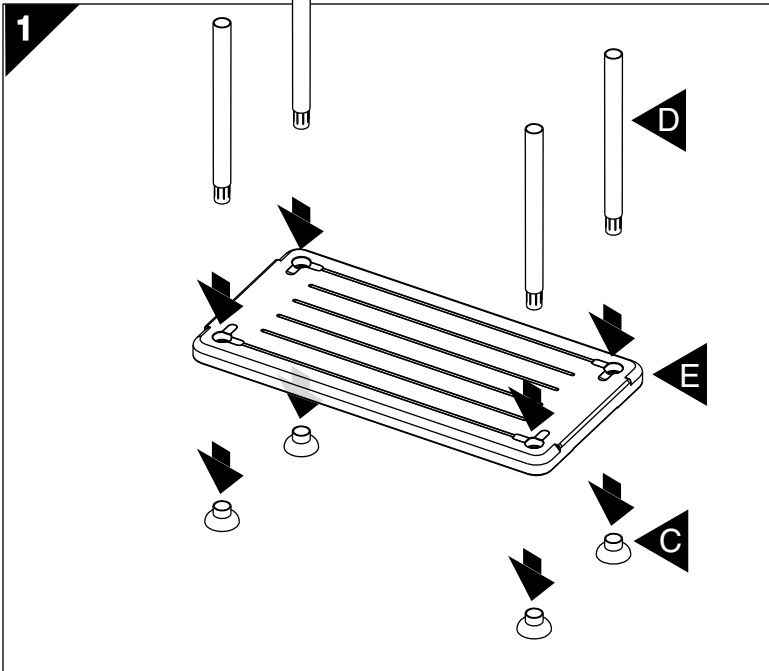
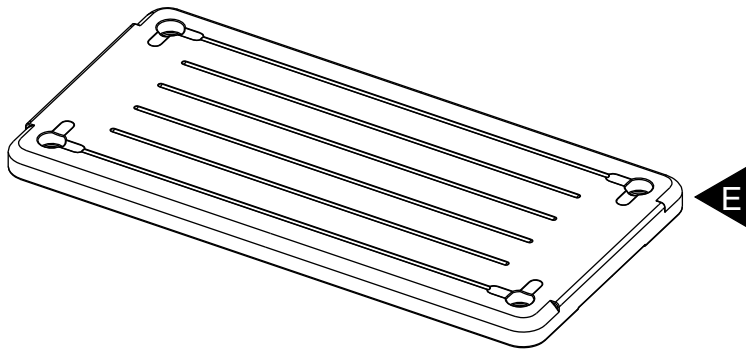
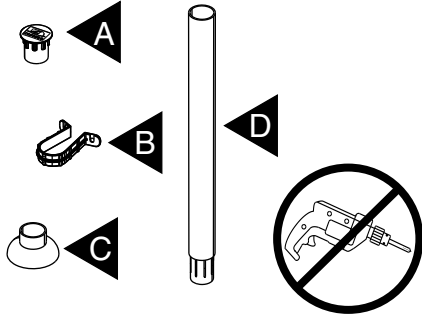
# ROUGH<sup>TM</sup> READY Shelving

20852/53



**Item Description/Quantity**

- A. Cap (4)
- B. Wall-Mount (2)
- C. Foot (4)
- D. Support Tube (16)
- E. Shelf (5)



Iceberg Enterprises, LLC  
 1300 W Higgins Rd Suite 111  
 Park Ridge, IL 60068  
 800 580 1310  
 847 685 9500 (V)  
 847 685 9551 (F)  
[www.icebergenterprises.com](http://www.icebergenterprises.com)