

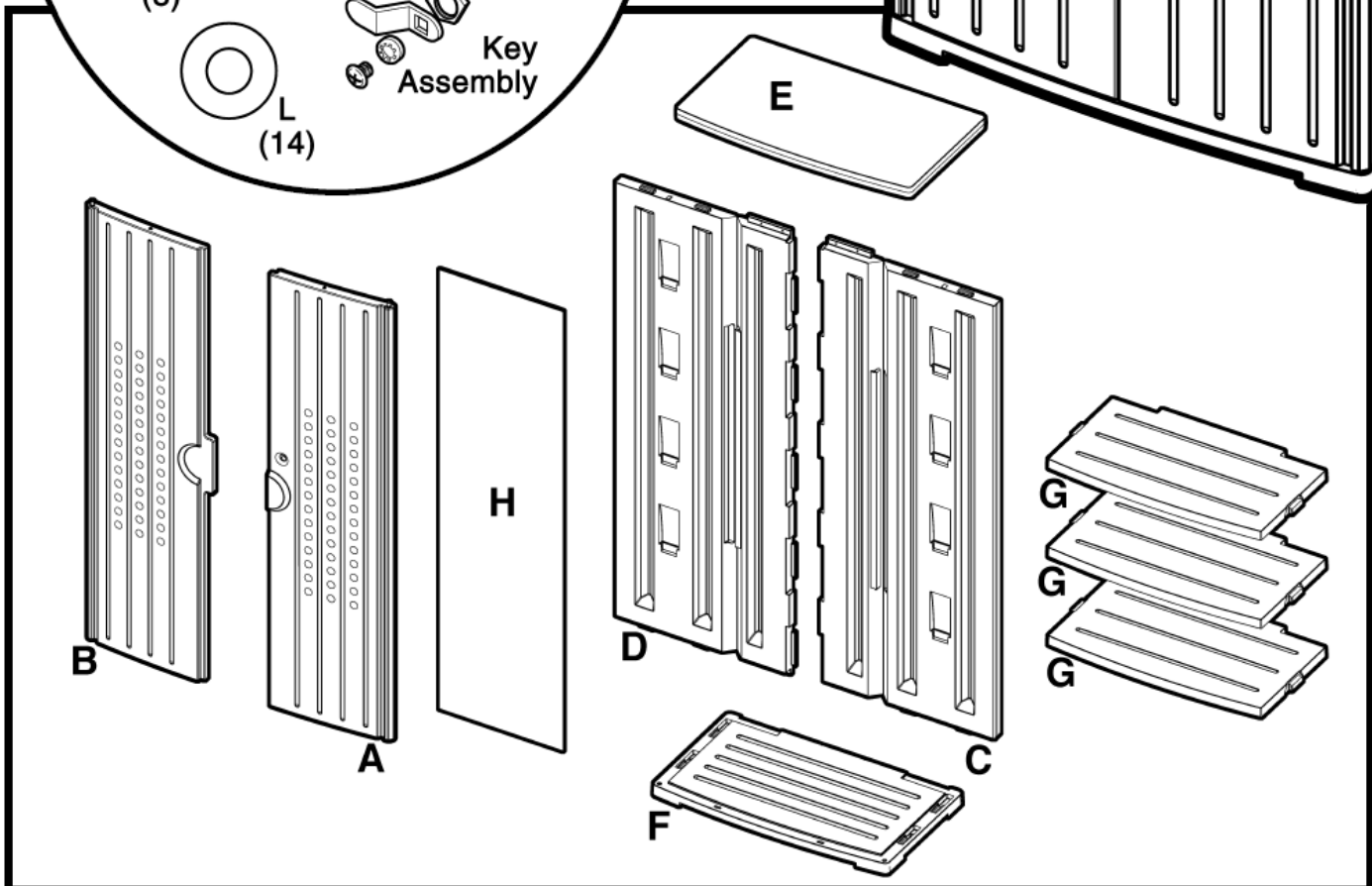
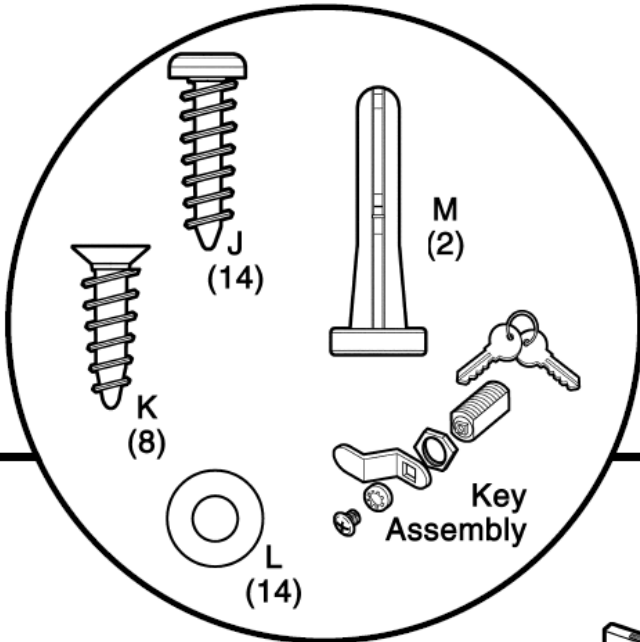
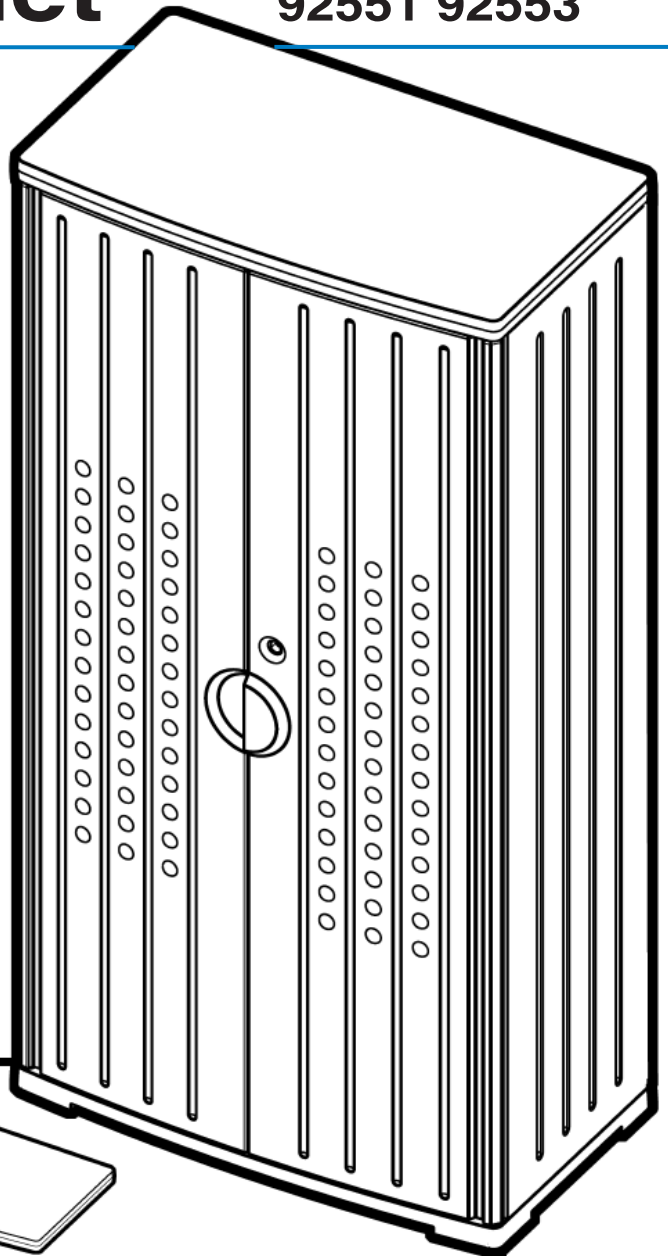


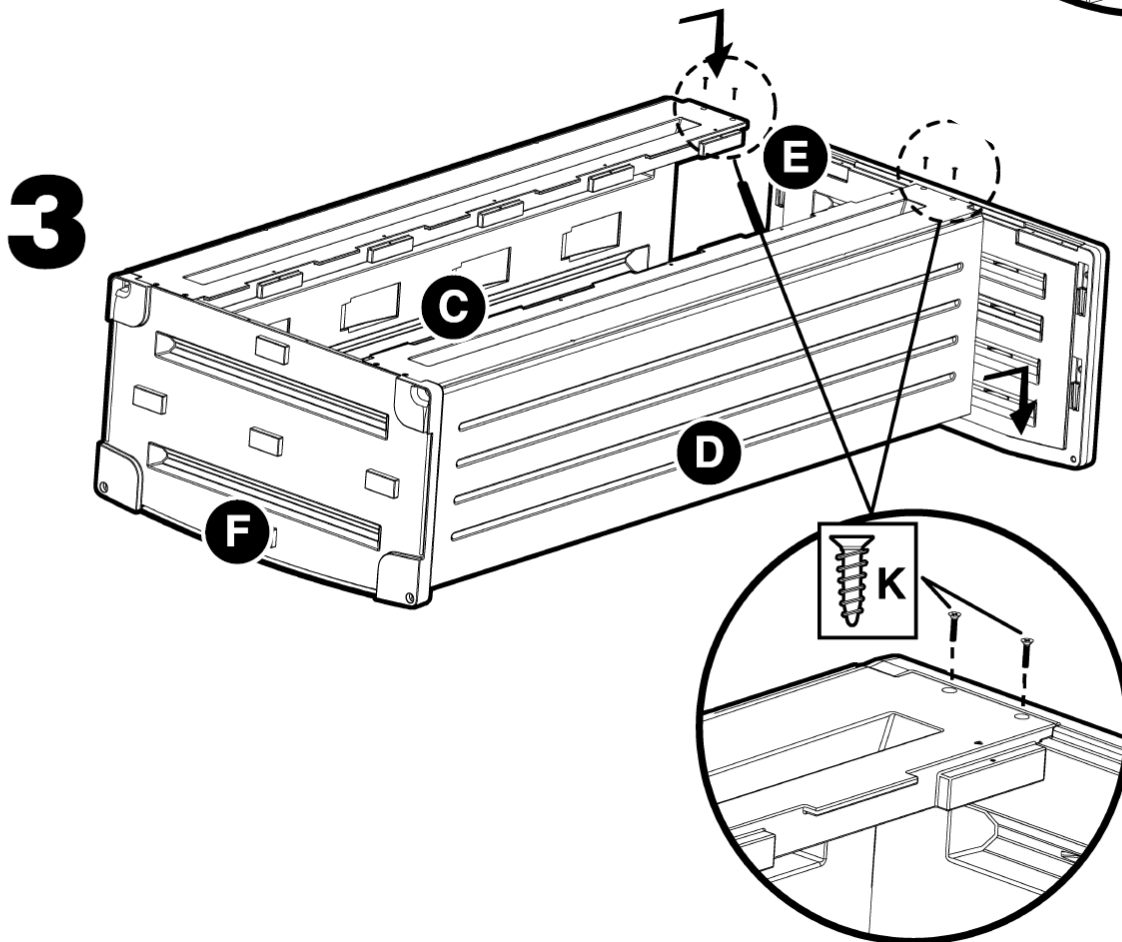
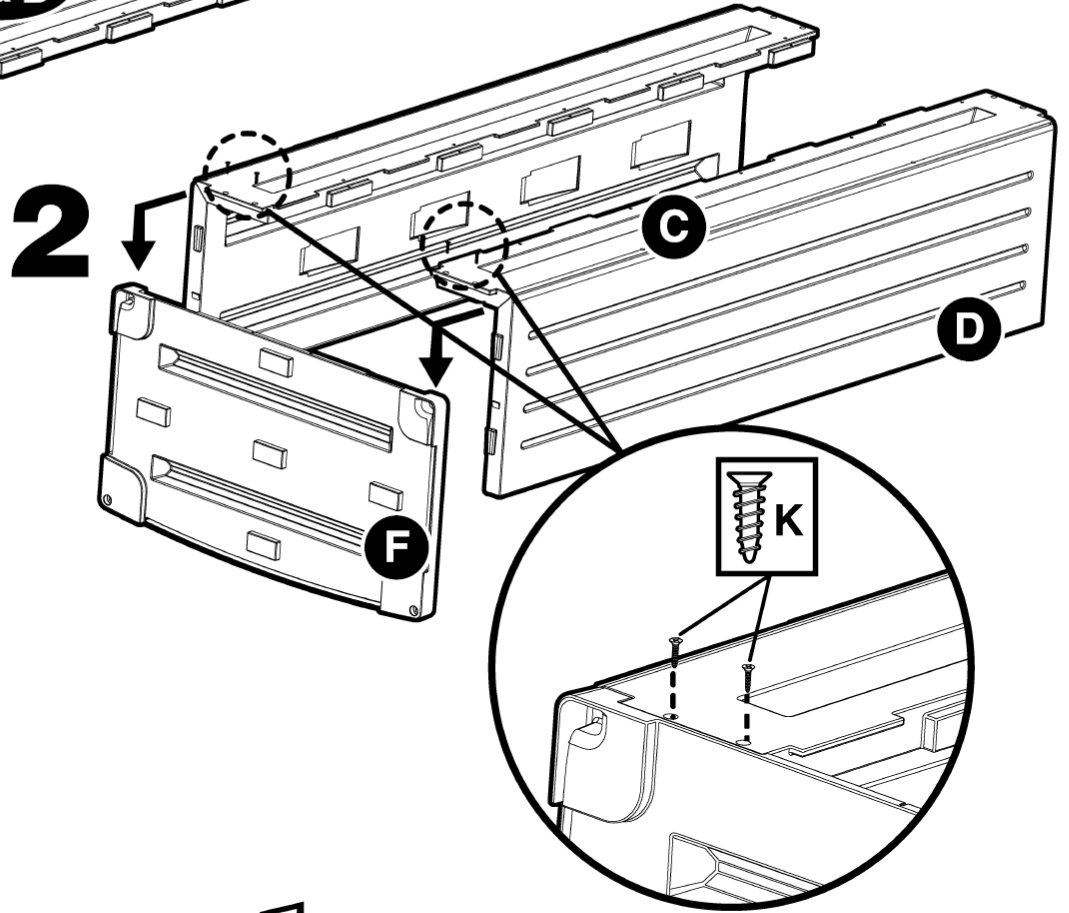
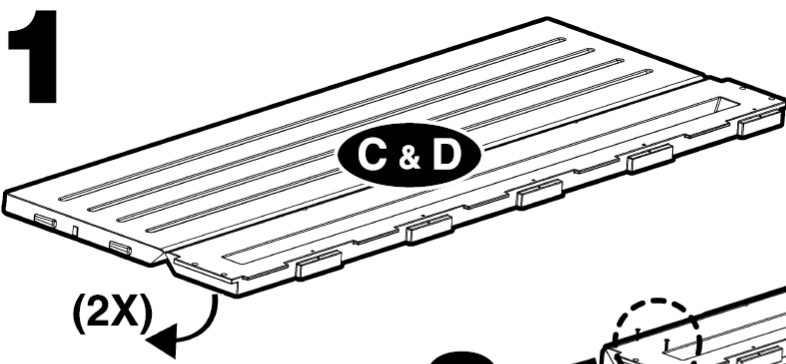
66" Cabinet

92551 92553

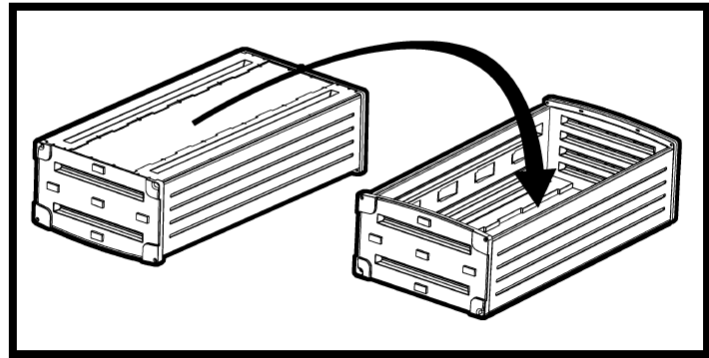
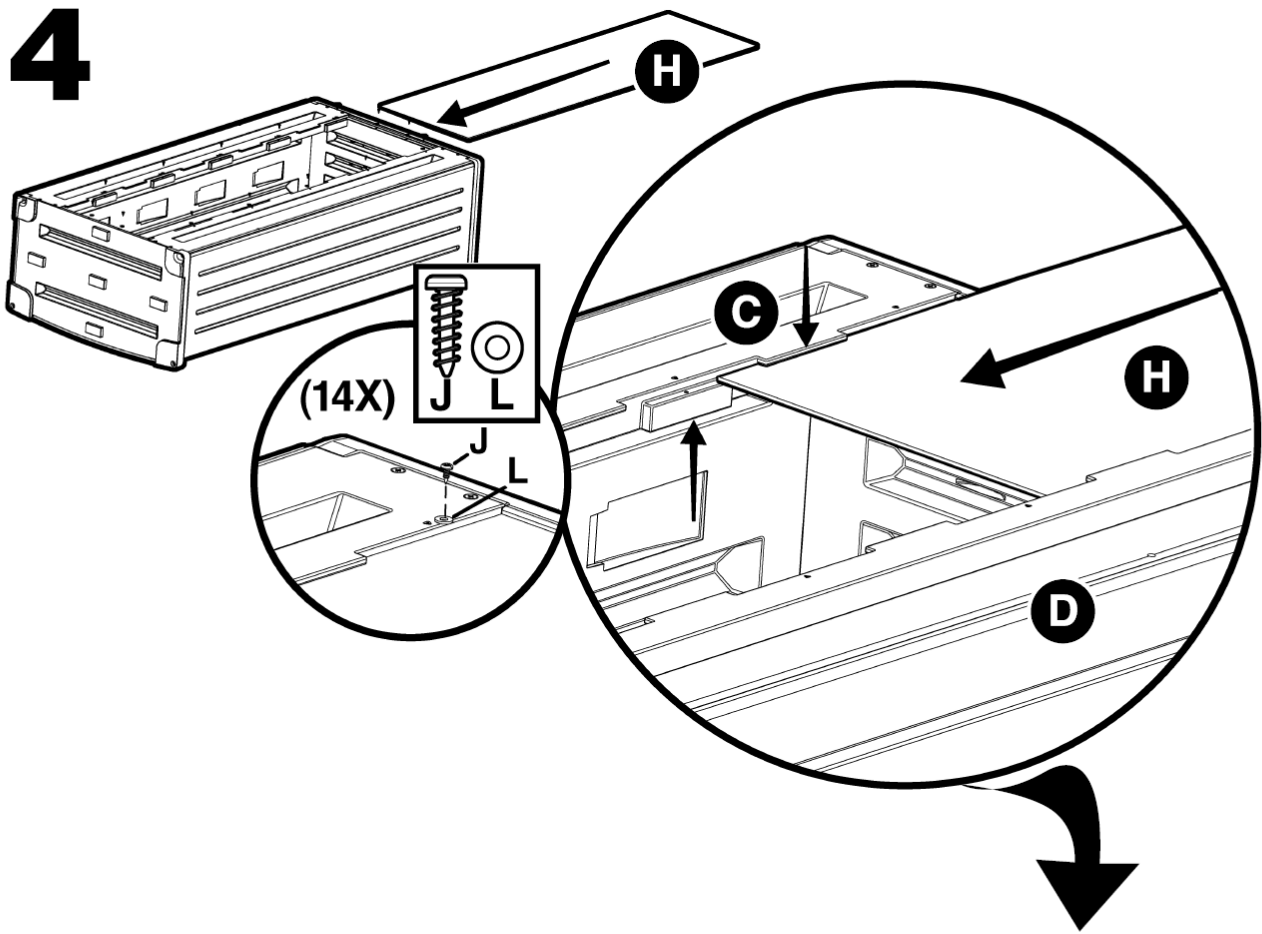
ICEBERG

A	Right Door	1
B	Left Door	1
C	Side (R)	1
D	Side (L)	1
E	Top	1
F	Bottom	1
G	Shelf	3
H	Back	1
I	Key Assembly	1
J	Pan Head Screw	14
K	Flat Head Screw	8
L	Washer	14
M	Hinge Pin	2

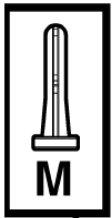




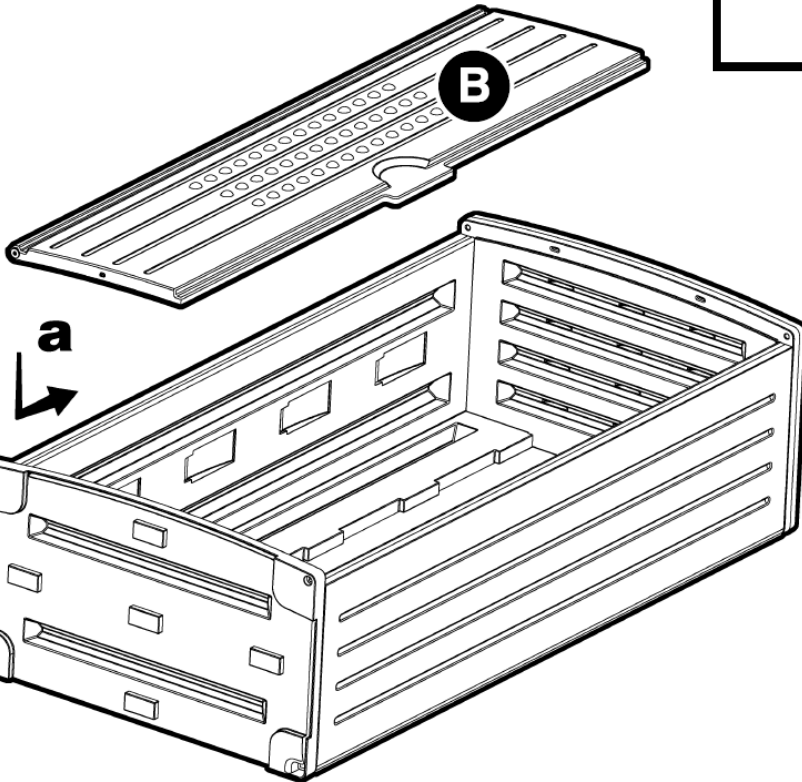
4



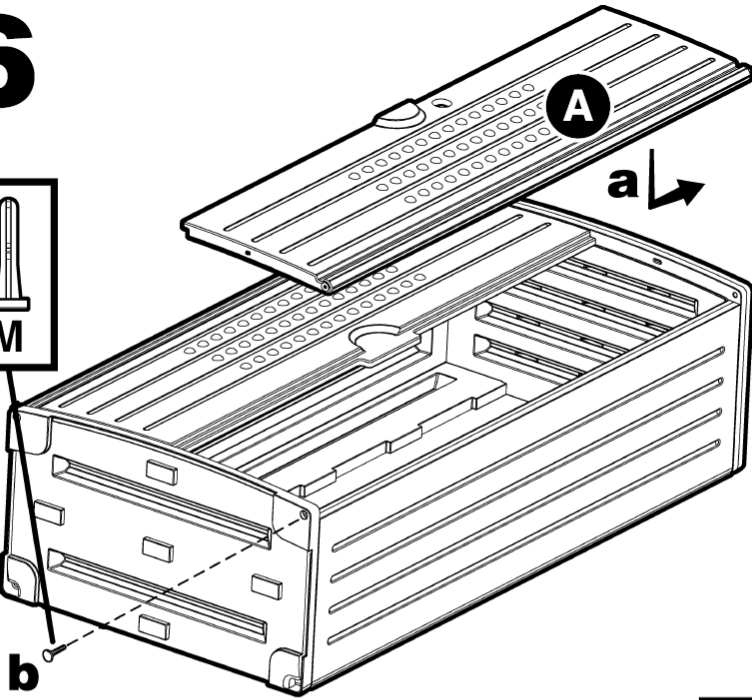
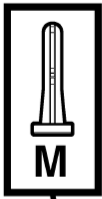
5



a
b

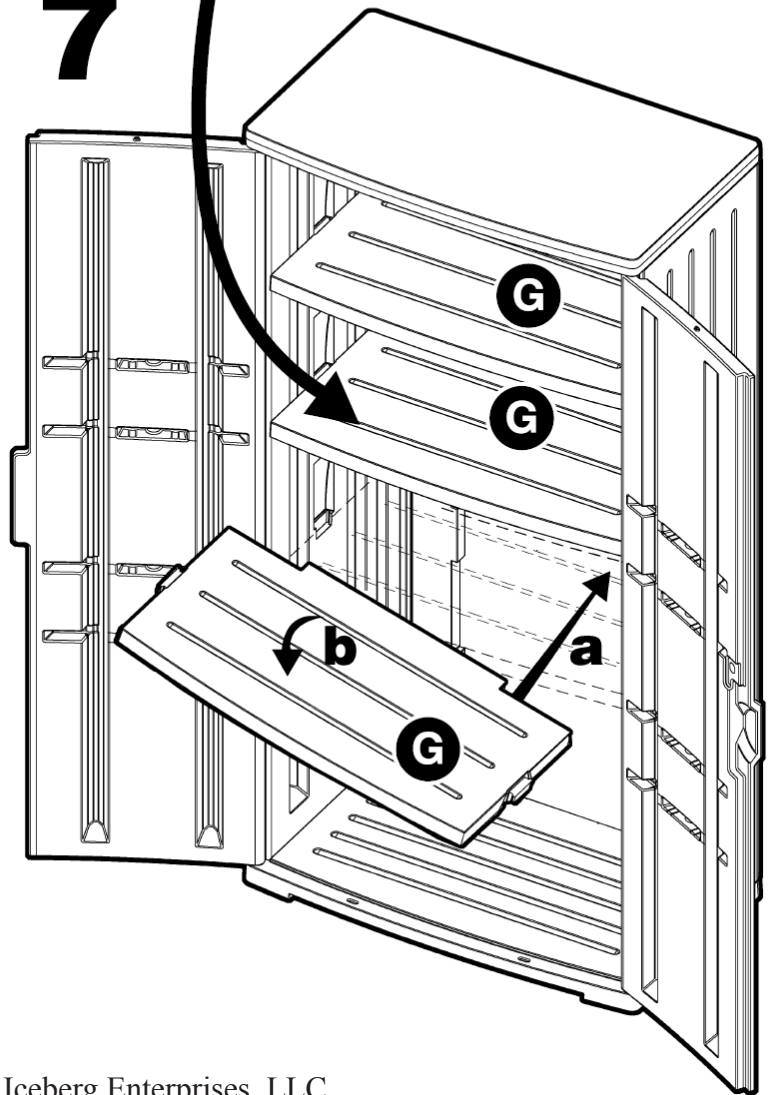


6

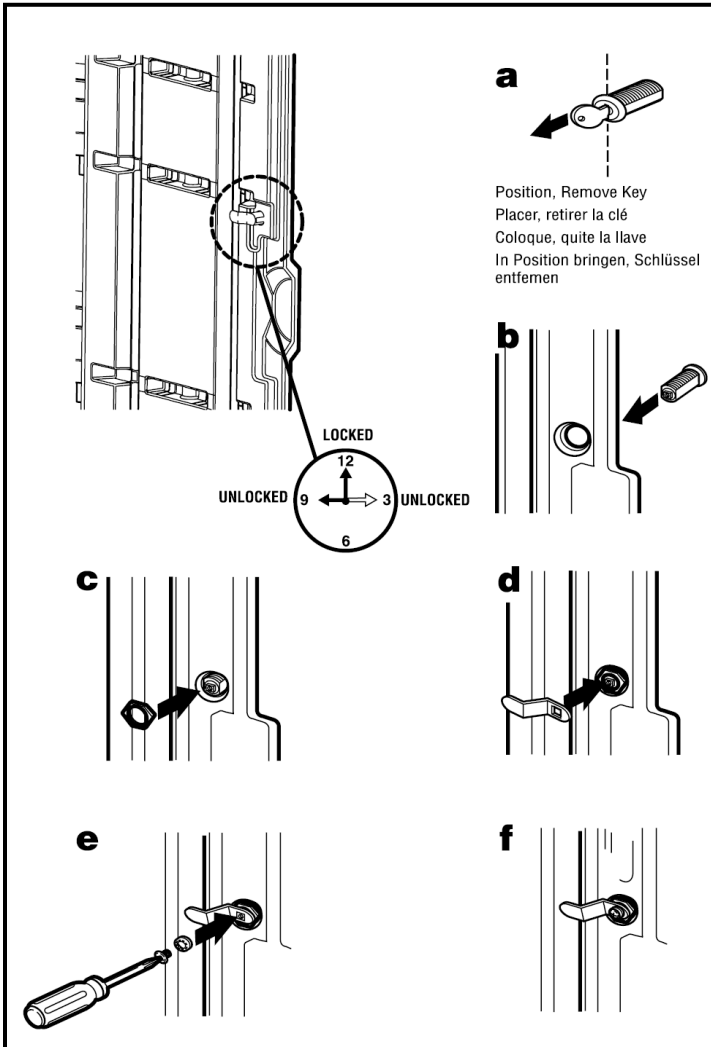


Note: This shelf is required in order to lock cabinet

7



8



Iceberg Enterprises, LLC
1300 W Higgins Rd Suite 111
Park Ridge, IL 60068
800 580 1310
847 685 9500 (V)
847 685 9551 (F)
www.icebergenterprises.com