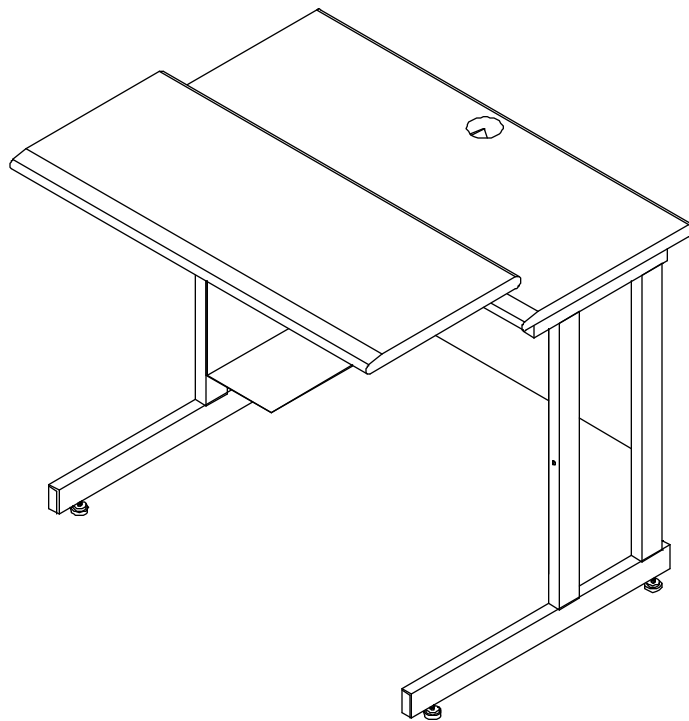




# SMART-ONE 42

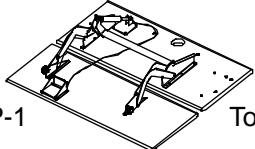

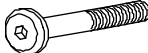


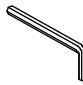
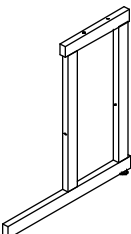
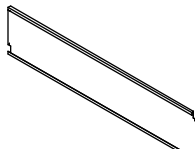
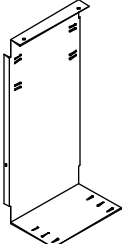
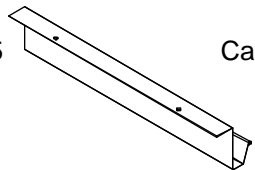
Single Student Standup-Sit down Workstation



## Assembly Instructions

# Smart-One42

## Single Student Stand-Up/Sit down Workstation

Part	Drawing	Description	Qty	Part	Drawing	Description	Qty
P-1		Top Platforms w/Arms	1 EA	<div style="border: 2px solid black; padding: 10px;"> <p style="text-align: center;"><b>Hardware List</b></p> <p>A  Short Flat Head Screw 4 EA</p> <p>A1  Long Flat Head Screw 4 EA</p> <p>B  1" Sheet Metal Screw 6 EA</p> <p>C  Flat Washer 4 EA</p> <p>F  Allen Wrench 1 EA</p> <p style="text-align: center; margin-top: 20px;"><b>Tools required: 1 Phillips Screwdriver</b></p> </div>			
P-2		Leg Assembly	2 EA				
P-3		Metal Stability Panel	1 EA				
P-4		Formed CPU Holder	1 EA				
P-5		Cable Tray	1 EA				



### Missing Parts or UPS Damaged Parts

For Your Convenience you can  
EMAIL us at

**[furniture@baltinc.com](mailto:furniture@baltinc.com)**

24HOURS 7 DAYS A WEEK

*Should you require assistance during assembly,*

*please call our Customer Service Department*

*Monday - Friday 8 a.m. - 5 p.m.*

*Central Standard Time 1-800-749-2258*

# Smart-One42 Assembly Diagram



## To Assemble:

1. Identify and Separate all the Parts and Hardware.
2. Attach the 2 each Leg Assemblies (P-2) to the Top Platform w/Arm (P-1) using 4 each Long Flat Head Screws (A1) as shown in illustration # 1.  
(Finger tighten only.)
3. Attach Cable Tray (P-5) to the Top Platform w/Arm (P-1) using 2 each short screws (A) as shown in illustration # 1.

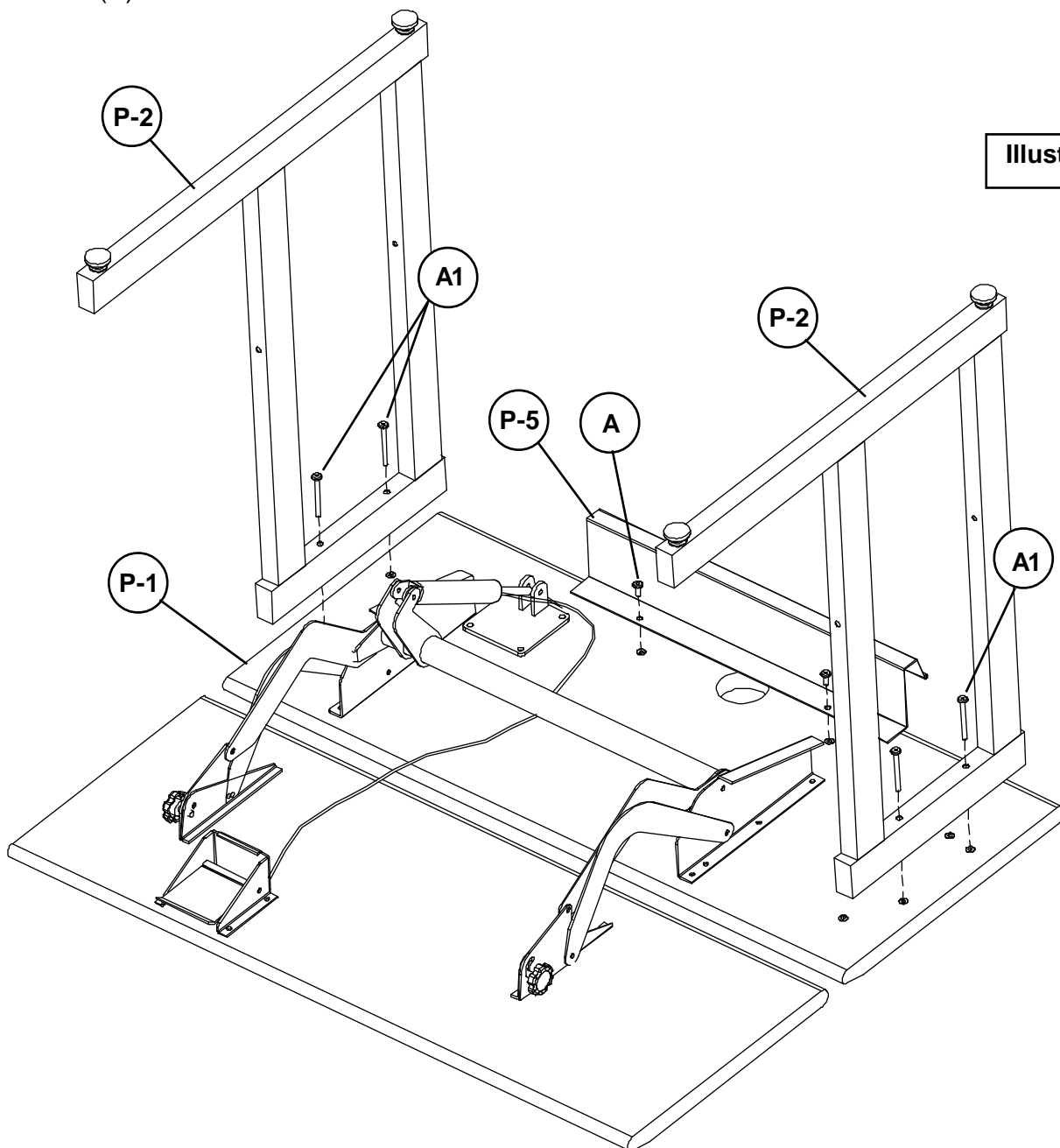
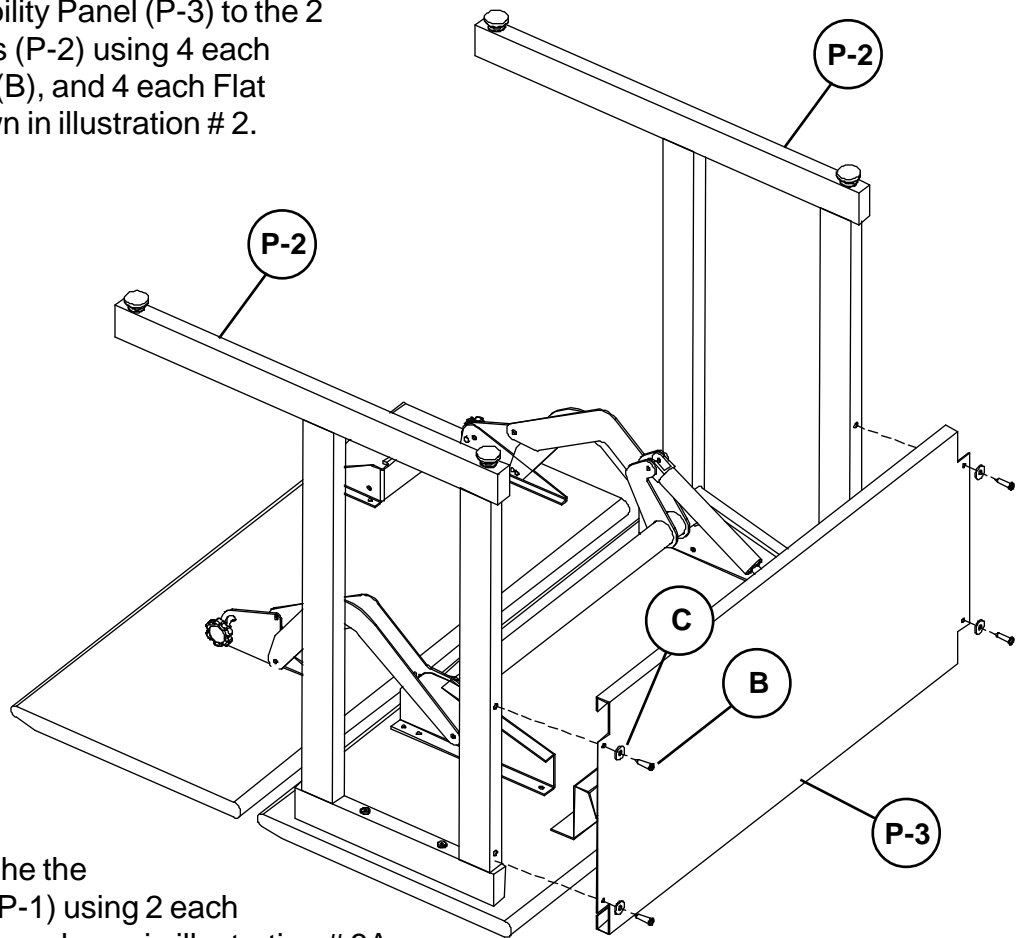


Illustration # 2

4. Attach the Metal Stability Panel (P-3) to the 2 each Leg Assemblies (P-2) using 4 each Sheet Metal Screws (B), and 4 each Flat Washers (C) as shown in illustration # 2.  
(Finger tighten only.)



5. Attach Formed CPU Holder (P-4) to the the Top Platform w/Arm (P-1) using 2 each Flat Head screws (A) as shown in illustration # 3A.

6. Secure the Formed CPU Holder (P-4) to the Leg Assembly (P-2) using 2 each Sheet Metal Screws (B) as shown in illustration # 3B.

*(Tighten all Screws using Allen Wrench F & Phillips Head Screwdriver.)*

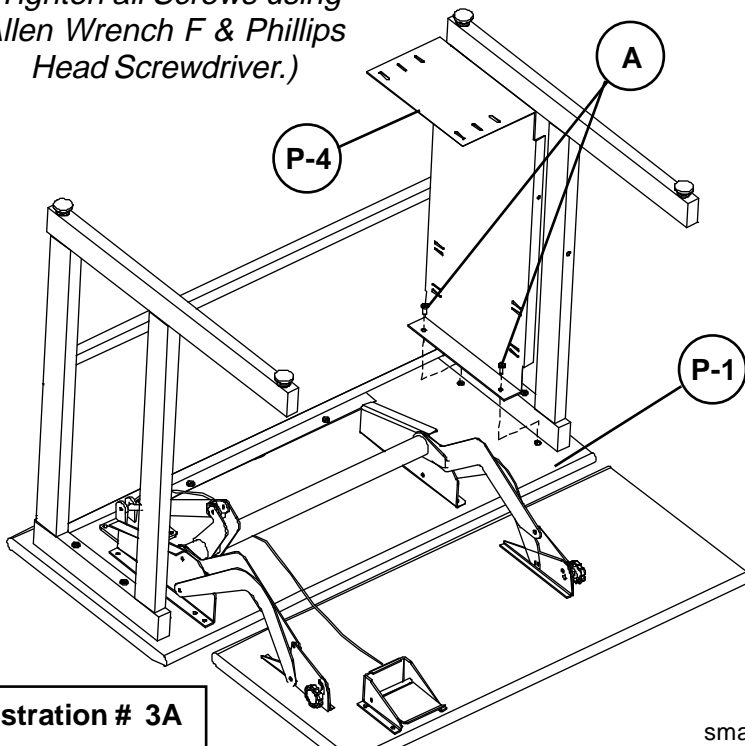


Illustration # 3A

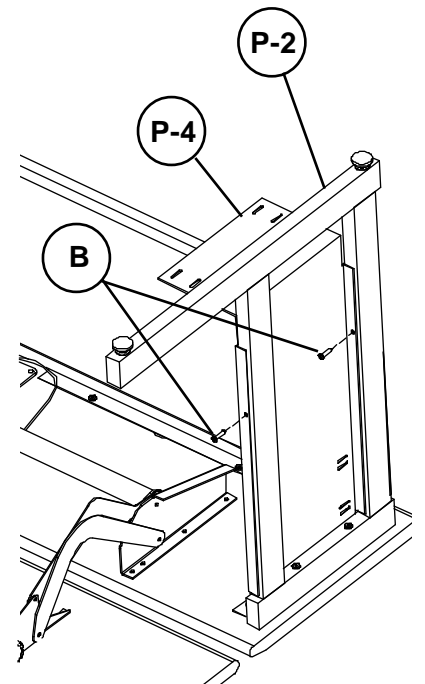
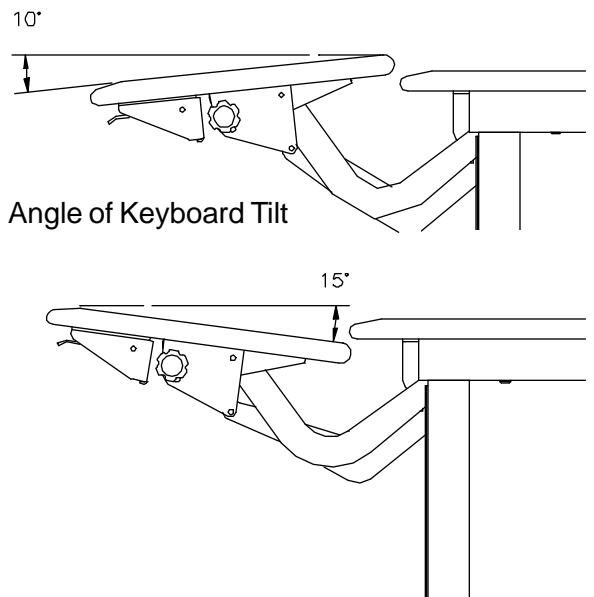
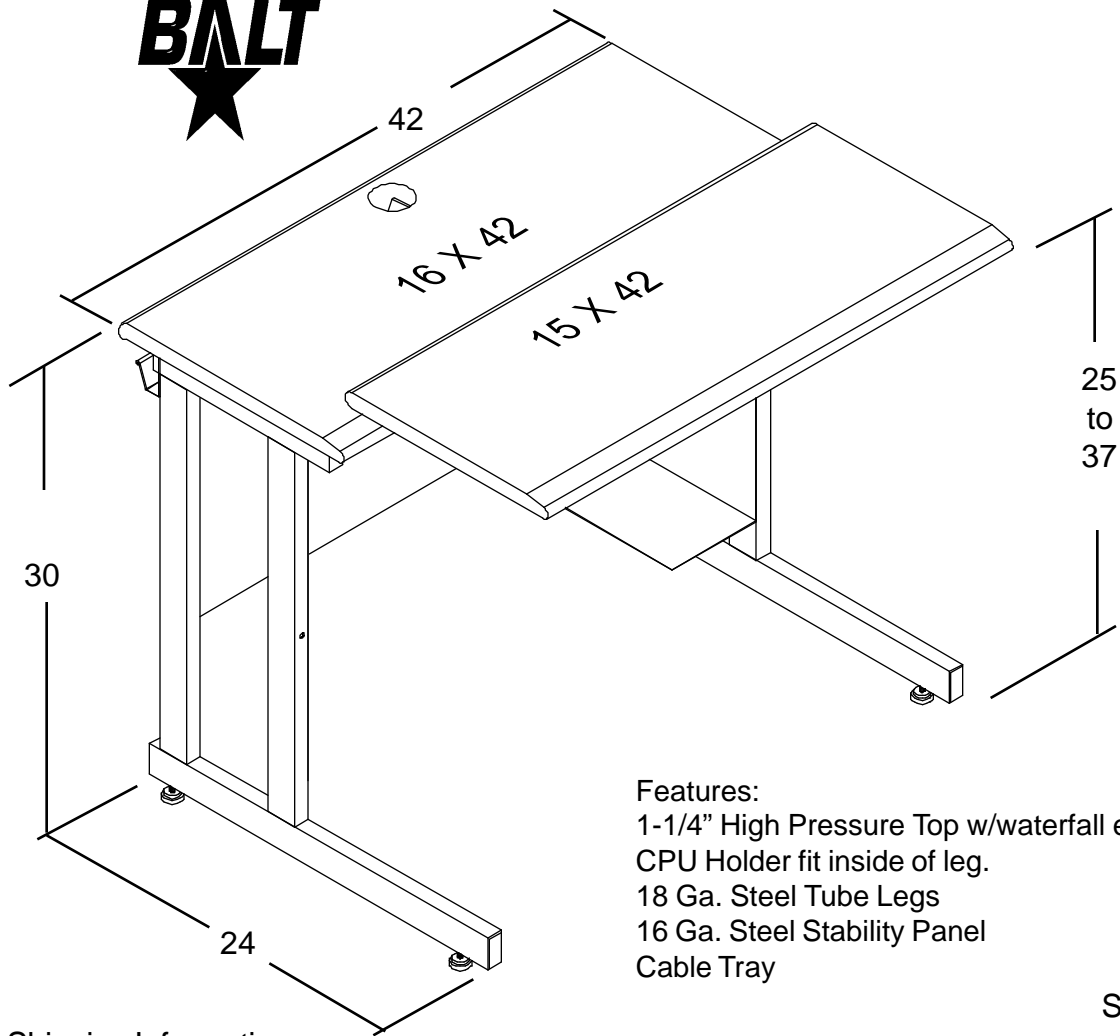


Illustration # 3B

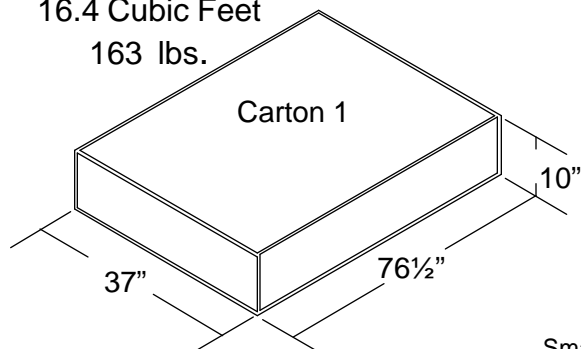
# Smart-One 42 Dual Student Standup-Sit down Workstation

For more information  
1-800-749-2258



- Features:
- 1-1/4" High Pressure Top w/waterfall edge
  - CPU Holder fit inside of leg.
  - 18 Ga. Steel Tube Legs
  - 16 Ga. Steel Stability Panel
  - Cable Tray

Shipping Information  
16.4 Cubic Feet  
163 lbs.



Shipping Information  
1.1 Cubic Feet  
12 lbs.

